

SERIE E58 HS

BLIND HOLLOW SHAFT ABSOLUTE SINGLETURN ENCODER

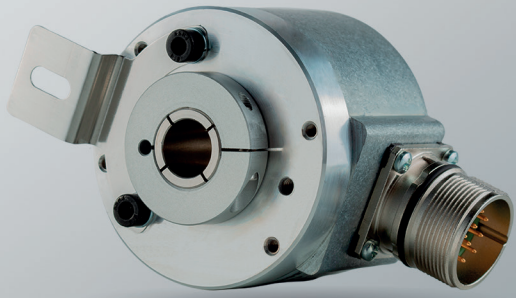


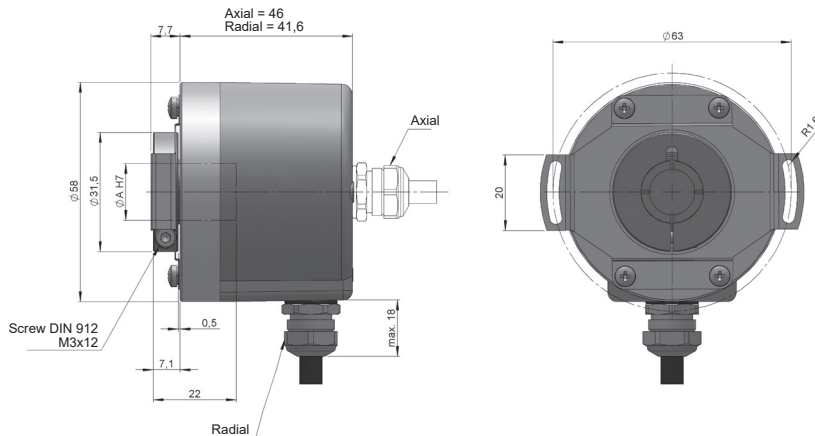
Image with flexible flange (90.1018)



- Singleturn resolution up to 13 bits
- Magnetic technology
- External diameter 58 mm
- Blind hollow shaft \varnothing 8, 10, 12, 14 and 15 mm
- Protection class IP65 according to DIN EN 60529
- Connection by cable (other cable length available) or industrial connector M23



Magnetic Encoder Absolute Encoder Vibration and shock resistant IP65 Temperature range -40°C Express Delivery



Drawing connection type 1/2, anti-rotation system type 3 (flexible flange 90.1027)

REFERENCE

Reference example: E58HS-SSI-31231-12

Serie	Interface	Anti-rotation system	Hollow shaft	Connection	Code	Power Supply / Electronic output	Singleturn resolution	Special customer
E58HS -	SSI -	<input type="checkbox"/>	<input type="checkbox"/>	<input type="checkbox"/>	<input type="checkbox"/>	<input type="checkbox"/> -	<input type="checkbox"/> <input type="checkbox"/>	<input type="checkbox"/> <input type="checkbox"/>
	SSI. SSI	1. None 2. Flexible flange (90.1018) 3. Flexible flange (90.1027) 4. Flexible flange (90.1075) (*)	3. \varnothing 8 mm 4. \varnothing 10 mm 5. \varnothing 12 mm 7. \varnothing 14 mm 8. \varnothing 15 mm	1. Axial cable 2. Radial cable 3. Radial M23 12p 5. Axial M23 12p	1. Binary CW 2. Binary CCW 3. Gray CW 4. Gray CCW	1. 4,75...30 VDC / RS422	09. 9 bits 10. 10 bits 11. 11 bits 12. 12 bits 13. 13 bits	. <input type="checkbox"/> <input type="checkbox"/>

Order your reference Step file 3D

info@encoderhohner.com

service available in 24 h

(*) Anti-rotation system type 3 (Flexible flange 90.1027) and 4 (Flexible flange 90.1075) supplied assembled.

Anti-rotation system type 2 (Flexible flange 90.1018) supplied disassembled and includes the screws required for assembly.



SERIE E58 HS


BLIND HOLLOW SHAFT ABSOLUTE SINGLETURN ENCODER



MECHANICAL SPECIFICATIONS

Materials	Housing: Zamac Flange: Aluminium Shaft: Stainless Steel
Bearings	Ballraces
Bearings lifetime	1x10 ¹⁰ rev.
Housing fixing	Flexible flange (included)
Permitted misalignment	±0.5 mm axial, ±0.3 mm radial (90.1018) ±0.5 mm axial, ±0.3 mm radial (90.1027) ±0.5 mm axial, ±0.2 mm radial (90.1075)
Shaft fixing	Clamp
Blind hollow shaft diameter	8, 10, 12, 14 and 15 mm
Maximum number of revolutions permitted mechanically	6000 rpm - Standard 10000 rpm - Upon request 12000 rpm (≤ 12 bits) - Upon request
Protection against dust and splashes according to DIN EN 60529	IP65
Rotor inertia moment	2 gcm ²
Starting torque at 20°C (68°F)	≤ 0,01 Nm
Maximum load permitted on axial shaft	20 N
Maximum load permitted on radial shaft	40 N
Weight aprox.	0,08 Kg
Operating temperature range	-40°C to +105°C
Vibration according to DIN EN 60068-2-6	100 m/s ² (10Hz...2000Hz)
Shock according to DIN EN 60068-2-27	1000 m/s ² (6ms)
Axial or radial connection	2 meters cable or industrial connector M23 (other cable lengths available on order) Female connector not included

ELECTRICAL SPECIFICATIONS

Interface	
Electronic output	RS422
Power supply (VCC)	4,75...30 VDC
Consumption	≤ 100 mA
Code	Binary Gray
Protocol	SSI
Singleturn resolution	up to 13 bits
Absolute accuracy	±0,35°
Relative accuracy	±1,5 LSB
Max. load capability / channel	±20 mA
"Low" signal level	< 0,8 VDC
"High" signal level	2 ... 5,5 VDC
Frequency	50 kHz...2 MHz
Short circuit protection	Yes
Protection polarity inversion	Yes

CONNECTION



	Cable 8x0,14 mm ² 95.0008052	Connector M23 12p CW
GND	White	1
VCC	Brown	2
DATA+	Yellow	3
DATA-	Pink	4
CLK+	Green	5
CLK-	Grey	6
PRESET*	Red	7
DIR**	Blue	8

(*) Apply a 4,75...30 VDC pulse (more than 1 ms) to set the encoder to Zero and reboot the encoder (turn off and then turn on the power supply).

(**) Connect to 4,75...30 VDC to change direction from default. If this input is not used, it should be connected to GND in order to avoid interferences. The encoder must be always rebooted (turn off and then turn on the power supply) after switching.

SERIE E58 HS

BLIND HOLLOW SHAFT ABSOLUTE SINGLETURN ENCODER



CONNECTION DIMENSIONS

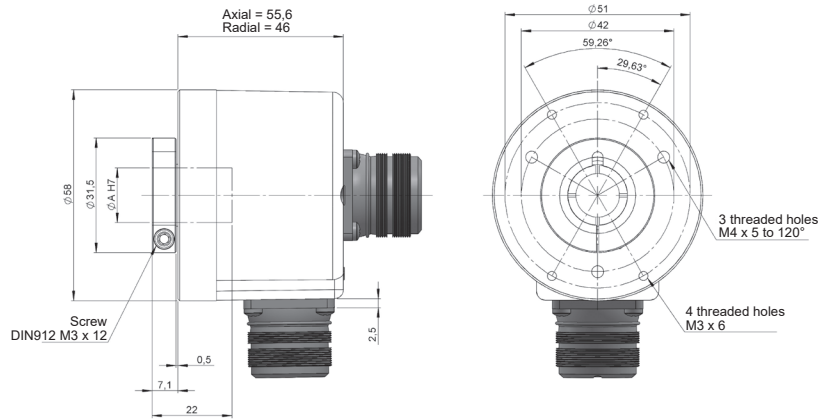
Female connector not included

Connection 3

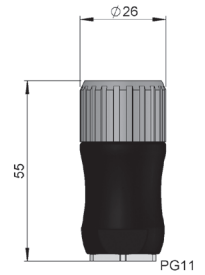
Radial
M23 12p
male panel
clockwise

Connection 5

Axial
M23 12p
male panel
clockwise



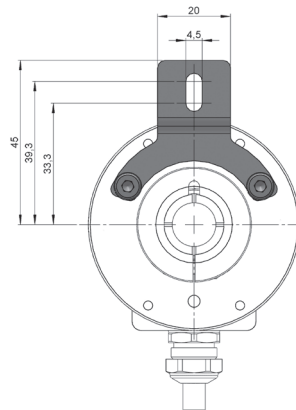
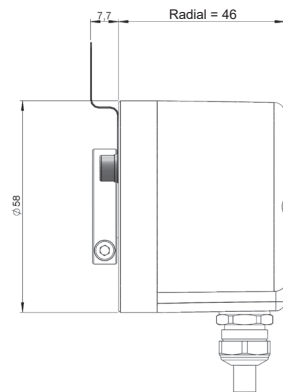
Female connector 95.0007131



ANTI-ROTATION SYSTEMS DIMENSIONS

Anti-rotation system 2

Flexible flange
90.1018

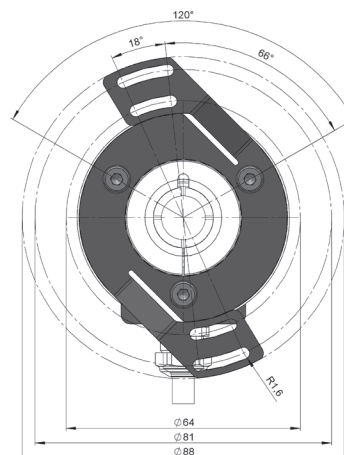
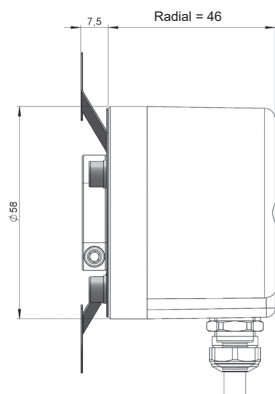


90.1018



Anti-rotation system 3

Flexible flange
90.1075



90.1075

